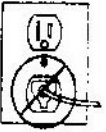


CTD-201  
INSTRUCTION  
BOOKLET

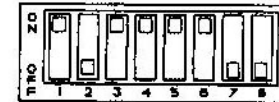
## To Install Model 201 Dispensers

**CAUTION: MAKE SURE THE UNIT IS UN-PLUGGED.**



These dispensers have been packaged separately to prevent damage during shipment. To install the Model 201 please take the following steps.

1. Unpack the Model 201 Dispensers.
2. Remove the cardboard insert used to secure card weight during shipment.
3. Carefully remove important instructions located under card weight. These instructions are necessary for properly adjusting your new Model 201 dispenser.
4. Before installing dispensers, adjust the card gate and set the vend price.
  - Vend prices, for the Model 201 Dispenser, are set by the bank of DIP switches on the dispenser control board.



- Turn the dispenser upside down to expose the control board.
- Locate the bank of DIP switches.
- When switches 1 through 6 are OFF the value of the dispenser is 1.

### NOTE: SWITCH SETTINGS FOR DOLLAR VALUES FROM \$1. TO \$64.

Values have been assigned to switches 1 through 6. (See page 2 )  
To set the vend price:

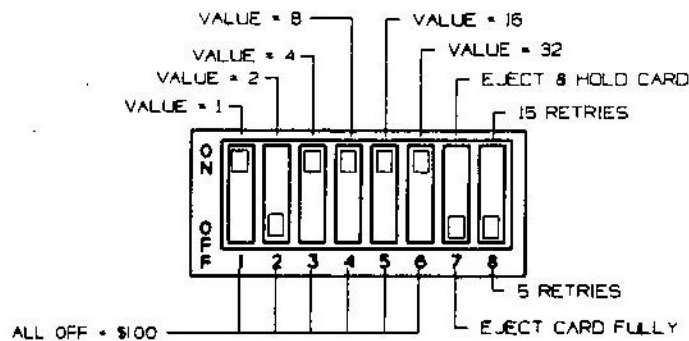
- Add the value of the switches that are ON and then add 1, (the base value of switches 1-6 when OFF).

**Example:** SW 1 ON, SW 4 ON (1+8+1= \$10.00)

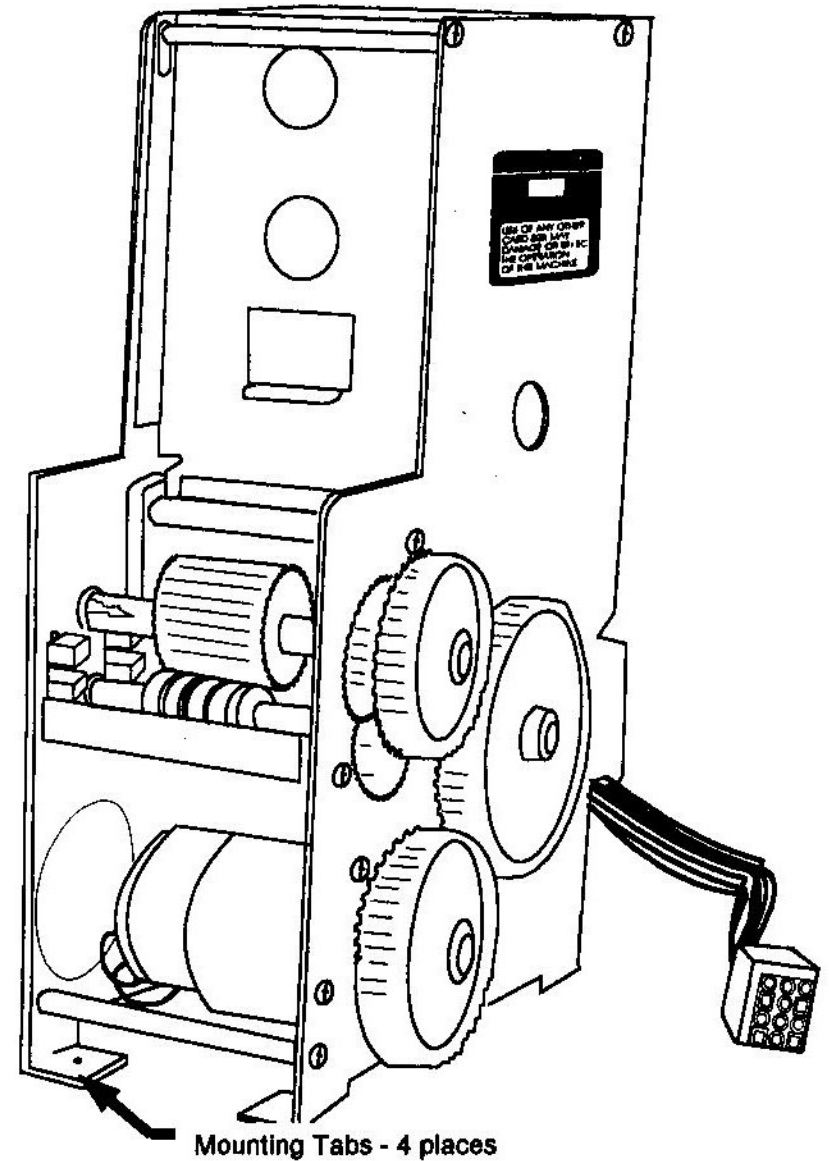
SW 2 on, SW 3 ON, SW 4 ON (2+4+8+1 = \$15.00)

- With switch 7 OFF. The card will be ejected fully. If switch 7 is ON, the card will be ejected part way and held for the customer to remove.
- Switch 8 is to select how many retries the dispenser the dispenser will make to eject a stuck card, OFF is 5 tries, ON is 15 tries.

5. After setting vend price and adjusting the card gate ensure the power IS TURNED..... **OFF**.
6. With the power **off** attach the black, rectangular 18 position connector into the black connector on the rear of the dispenser.
  - \*(NOTE - The connector is polarized and care should be taken not to bend any pins.) Refer to page 5.
7. Now slide the dispenser onto the bracket in the enclosure, being careful not to pinch any wires of the harnessing, under the dispenser. (The dispenser should fit firmly)
8. Next, load the dispenser with cards and place the card weight on top with the feet of the card weight pointing to the rear of the dispenser.
9. You may now close the door to the unit and apply power.
10. Test your unit by inserting money into the bill validator, when you reach your set vend price, a card should be dispensed.
11. Any problems please call

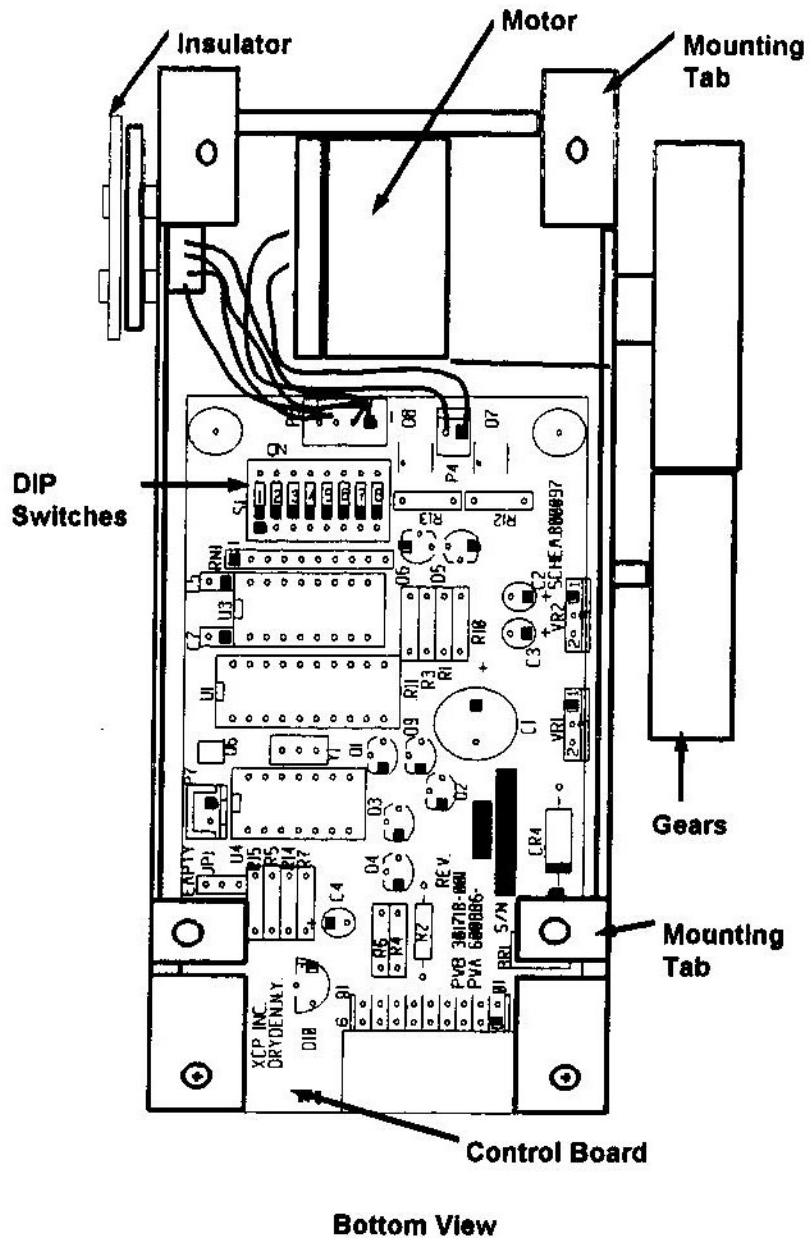


**Dispenser Switch Values**



**Mounting Tabs - 4 places**

**Card Dispenser**



## CONNECTOR ORIENTATION

